

Type No. 421-031-011



MEGA-Line
RACING ELECTRONIC GmbH
Hauersdorfer Str.3
D - 93342 Saal a.d. Donau

Germany

Phone: +49 (0) 9441 6866 - 0
Fax: +49 (0) 9441 6866 - 11

Mail: info@mega-line.com
Web: www.mega-line.com

Description / features

The clutch paddle represents the human-mechanical interface for the control of suitable electric clutch actuators.

It is normally mounted on the steering wheel, but also other mounting positions are generally possible as long as a suitably sized and flat surface available.

The clutch paddle GT provides an analog output between 0,5 and 4,5 V for a seamless control of suitable actuators.

The paddle has been designed for easy adaptation of the paddle shape and size by making it exchangeable via only two screws. The clutch paddle GT is normally delivered with a standard paddle shape as shown, but other shapes and sizes are available on request or could be done according to customers needs.

The paddle design also focuses on a symmetric shape, allowing a free orientation by the availability of 5 optional ways of cable exit.

Technical specifications

Electronic data:

Operating voltage 5V nom.
Output ~ 0,5..4,5V

Mechanical data:

Dimensions L x W x H approx. 75 x 34,5 x 26 mm
Weight approx. 30 g
Cable type 44A0111-26
length approx. 20 cm
wire cross section AWG 26
Mounting 2 x M4, flat surface required
Degree of protection IP67

Connector:

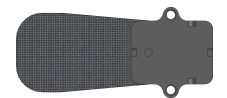
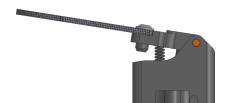
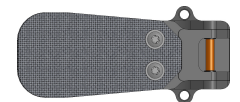
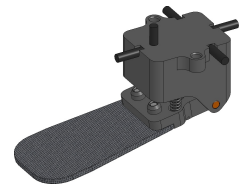
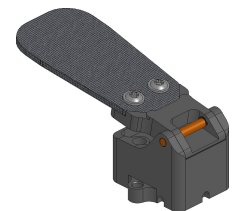
none

Temperature range:

Ambient (min/max) -25° to + 85°C

Ordering information:

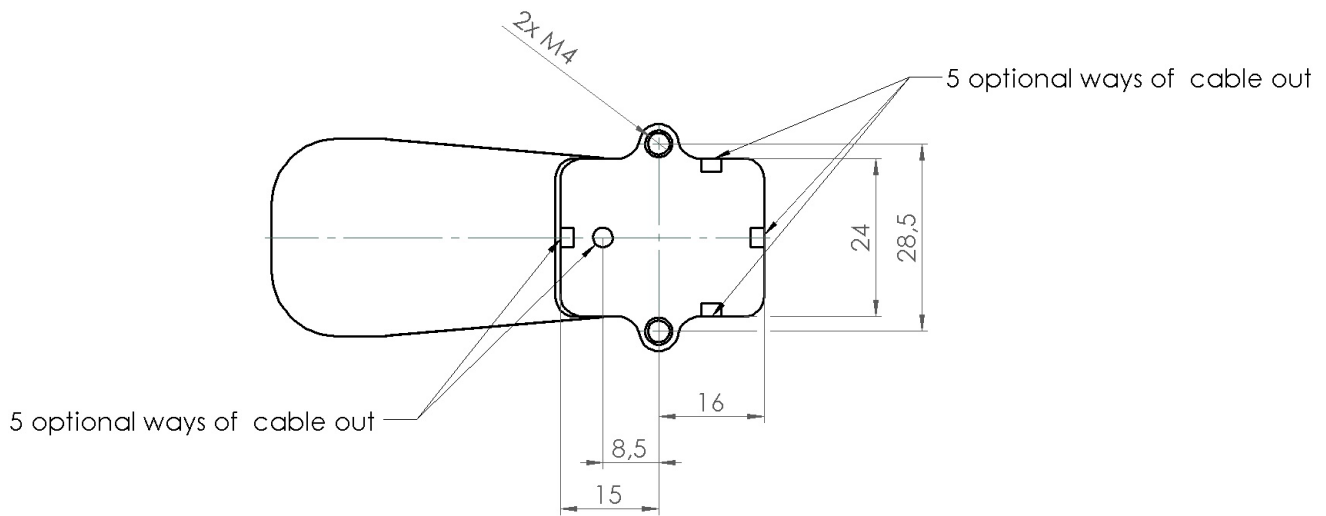
Article no.: 421-031-011
Order no.: 12165



Wiring description

Wire	Function	Dia [AWG]	Color
1	+5 V	26	orange
2	GND	26	blue
3	analog out	26	white

Assembly dimensions



Mechanical dimensions

