

Type No. 312-013-021/121



MEGA-Line
RACING ELECTRONIC GmbH
Haunersdorfer Str.3
D - 93342 Saal a.d. Donau

Germany

Phone: +49 (0) 9441 6866 - 0
Fax: +49 (0) 9441 6866 - 11

Mail: info@mega-line.com
Web: www.mega-line.com

Description / features

The shift paddles represent the human-mechanical interface for the AGS and are mounted on the steering wheel.

The right-hand paddle will initialize an Up-Shift, the left-hand paddle a Down-Shift.

The paddle movement is detected by an inductive sensor including a function indicator using a red LED.

Technical specifications

Electronic data:

Operating voltage	13.5V nom.
Operating current	< 10 mA
Output	PNP make contact

Mechanical data:

Dimensions L x W x H	approx. 53 x 50 x 30 mm
Weight / pc	approx. 50 g
Cable type	LifY-11Y-O
length	approx. 50 cm
wire cross section	AWG 26
Mounting	2x M5, flat surface required
Versions	left, right side with different cable outlets
Degree of protection	IP67

Connector:

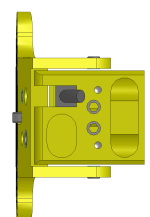
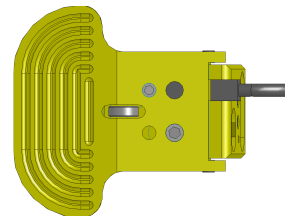
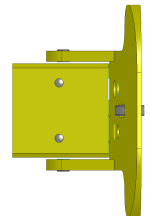
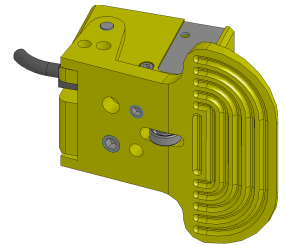
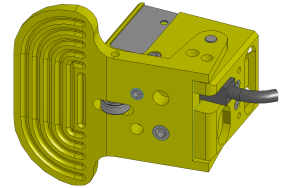
none

Temperature range:

Ambient (min/max) -25°C ... +70°C

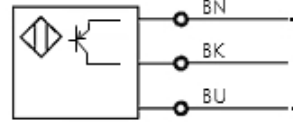
Ordering information:

Article no.:	left	312-013-021
	right	312-013-121
Order No.:	set	2896

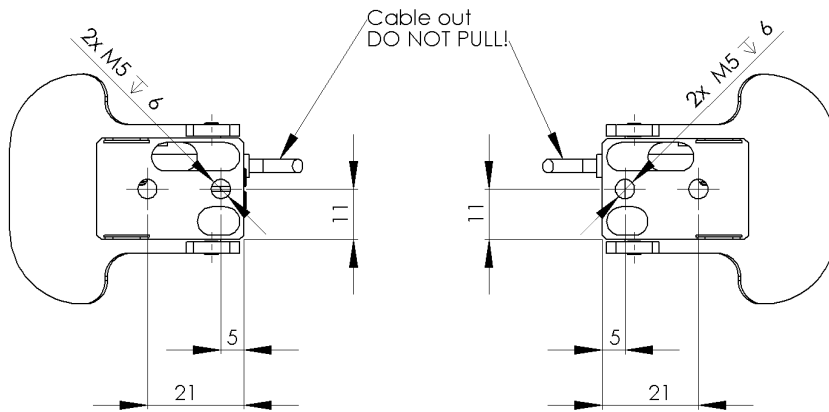


Wiring description

Wire	Function	Dia [AWG]	Color
1	+12V electronic	26	brown
2	Signal	26	black
3	GND electronic	26	blue



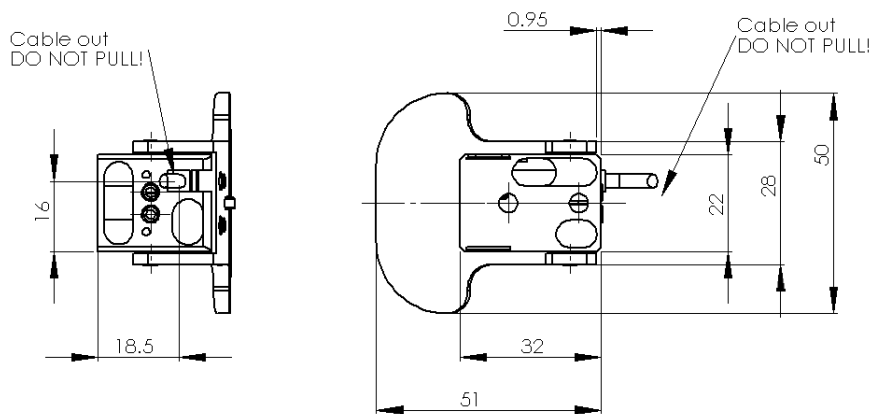
Assembly dimensions



312-013-021 paddle left
bottom view

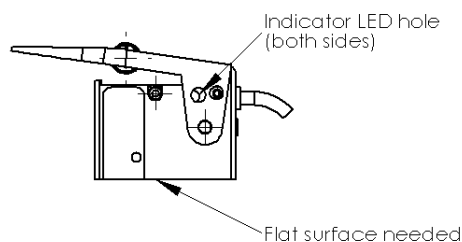
312-013-121 paddle right
bottom view

Mechanical dimensions



312-013-021 paddle left
side left view

312-013-021 paddle left
bottom view



312-013-021 paddle left
rear view