

Type No. 219-021-011



MEGA-Line
RACING ELECTRONIC GmbH
Hauersdorfer Str.3
D - 93342 Saal a.d. Donau

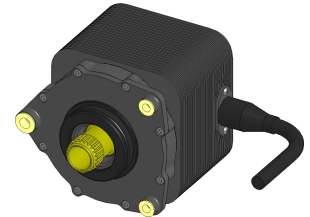
Germany

Phone: +49 (0) 9441 6866 - 0
Fax: +49 (0) 9441 6866 - 11

Mail: info@mega-line.com
Web: www.mega-line.com

Description / features

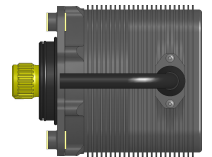
The new actuator for direct driven gear box barrels redefines the state of the art. This electromotor-driven actuator replaces not only all pneumatic parts, it even replaces the complete ratchet mechanism of the sequential gearbox. As a direct result the total weight of the gearbox including shift system is considerably reduced, whereas the precision of the movement can be increased. The intelligent actuator includes active motor position control as well as the gear-pot and is connected to the ECU via CAN to get necessary information like engine speed or commands like "UP, DOWN". Also hardwired operation is available. No need for gear-pot adjustments, once defined its a complete stand alone plug and play system.



Technical specifications

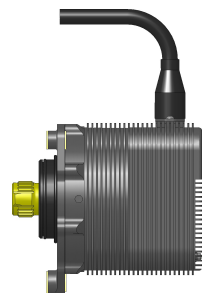
Electronic data:

Operating voltage	13.5..15.6V nom.
Standby current	0.5 A
Peak current	60..150A programmable
Circuit breaker	not integrated, optionally use external breaker (e.g. ETA, 452 K34 FN2 – 80A)



Mechanical data:

Dimensions L x W x H	approx. 116 x 100 x 125 mm
Weight	approx. 1800g
Angle of rotation	360°
Angle error	less 0.1°
Spline	similar DIN 5480



Connector:

Deutsch 37 pin, pig tail	AS114-35PA
Deutsch 37 socket, loom side	AS614-35SA
Length pig tail	approx. 300mm

Temperature range:

Ambient	-25 °C ... +80 °C
---------	-------------------

Ordering information:

Article no.	219-021-011
Order no.	10621



Type No. 219-021-011



MEGA-Line
RACING ELECTRONIC GmbH
Haunersdorfer Str.3
D - 93342 Saal a.d. Donau

Germany

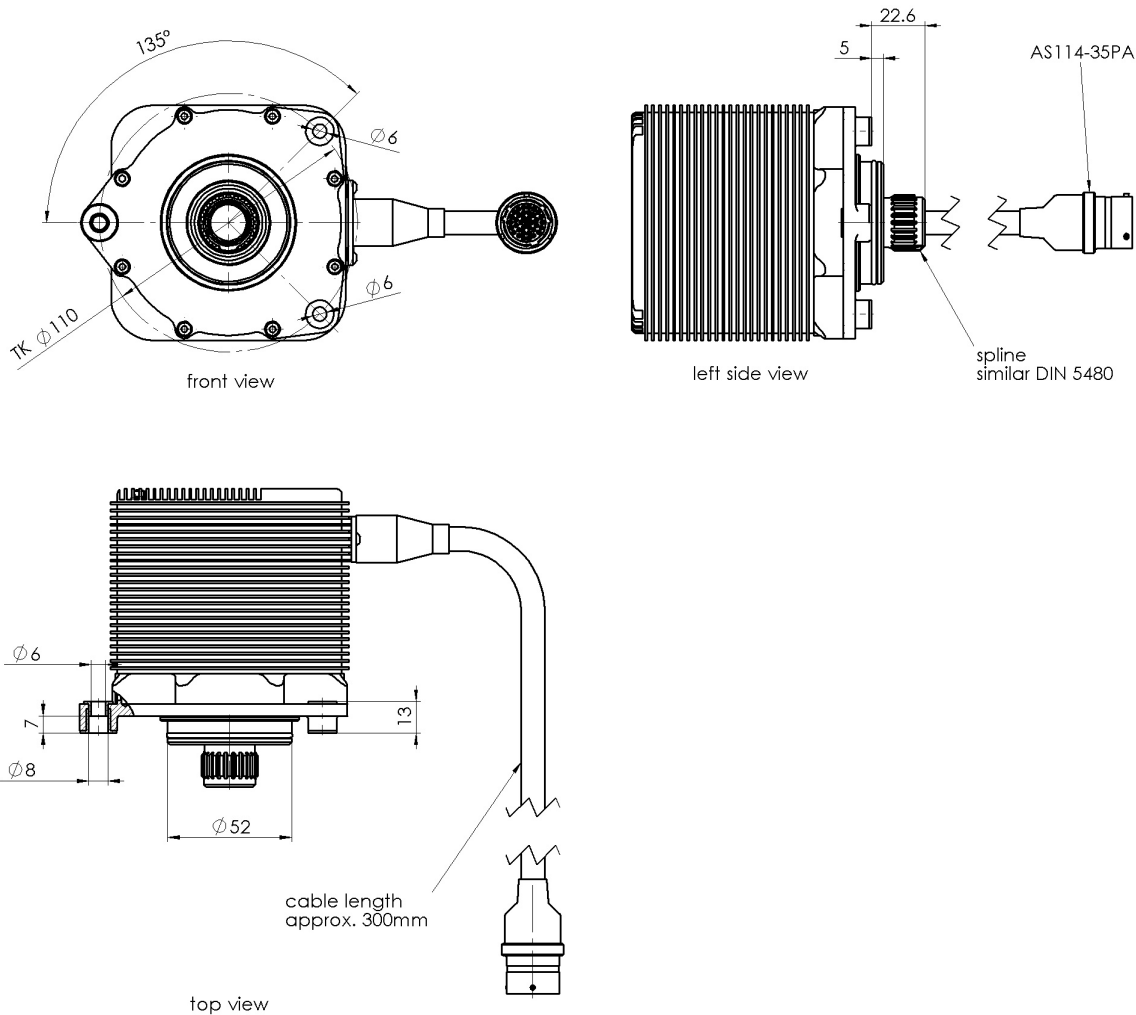
Phone: +49 (0) 9441 6866 - 0
Fax: +49 (0) 9441 6866 - 11

Mail: info@mega-line.com
Web: www.mega-line.com

Pin assignment

Pin	Function	Dia [AWG]	Type
1	+ 13.5V supply	22	pwr
2	GND supply	22	pwr
3	GND supply	22	pwr
4	GND supply	22	pwr
5	GND supply	22	pwr
6	GND supply	22	pwr
7	Gear position out	26	analog out
8	AGND	26	pwr
9	+ 5V sensor	26	pwr
10	EMERGENCY INDICATOR	26	digital out
11	Clutch switch	26	digital in
12	EMERGENCY switch	26	analog in / digital in
13	REVERSE button	26	digital in
14	NEUTRAL button	26	digital in
15	DOWN paddle	26	digital in
16	UP paddle	26	digital in
17	+ 13.5V supply	22	pwr
18	+ 13.5V supply	22	pwr
19	+ 13.5V supply	22	pwr
20	GND supply	22	pwr
21	GND supply	22	pwr
22	GND supply	22	pwr
23	Cut signal out	26	analog out
24	GND sense extern	26	analog in
25	Clutch analog	26	analog in
26	Spare in	26	analog in / rev
27	CAN2 low	26	data
28	Flash	26	digital in
29	+ 13.5V supply	22	pwr
30	+ 13.5V supply	22	pwr
31	+ 13.5V supply	22	pwr
32	GND supply	22	pwr
33	CAN1 high	26	data
34	CAN1 low	26	data
35	CAN2 high	26	data
36	+ 13.5V supply	22	pwr
37	+ 13.5V supply	22	pwr

Assembly dimensions



Mechanical dimensions

