

## Type No. 470-111-011a



MEGA-Line  
RACING ELECTRONIC GmbH  
Haunersdorfer Str.3  
D - 93342 Saal a.d. Donau

Germany

Phone: +49 (0) 9441 6866 - 0  
Fax: +49 (0) 9441 6866 - 11

Mail: info@mega-line.com  
Web: www.mega-line.com

### Description / features

The compressor GT  $\mu$ C is a stand alone compressor with integrated reservoir and control system. The unit preserves the reservoir pressure to an applied value and monitors the operating conditions like supply voltage, current and temperature.

Programming and operation data are available via CAN interface.

Standard application is pressure supply for gear shift systems with external actuators and shift control. Alternatively the unit can also be utilized within pneumatic waste gate control applications.

### Technical specifications

#### Electronic data:

Operating voltage	13.5V nom.
Operating current (electronic)	< 300mA
Operating current (compressor)	approx. 10A @ 30% duty cycle

#### Mechanical data:

Dimensions L x W x H	approx. 143 x 91 x 140 mm
Weight	approx. 1700 g
Fitting for air pressure outlet	Dash6

#### Pneumatic data:

Max. operating pressure	7 bar
Nominal pressure	6 bar

#### Connector:

Deutsch 6 pin	AS608-35PN
---------------	------------

#### Temperature range:

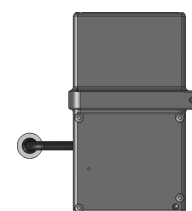
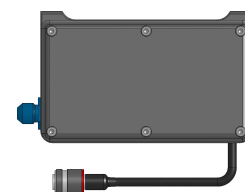
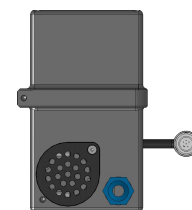
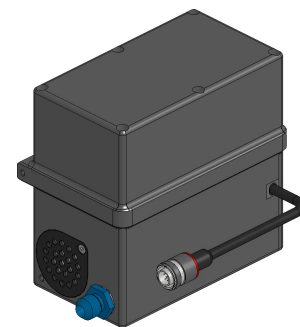
Ambient (min/max)	0 .. +65°C
-------------------	------------

#### Operating range:

Max. duty cycle	40%
In conjunction with max. compressor temperature	65°C

#### Ordering information:

Article no.	470-111-011a
Order no.	11489

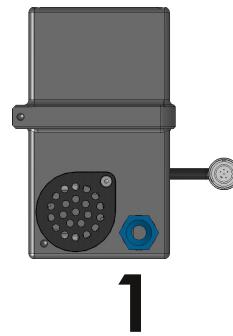


### Pin assignment (electric)

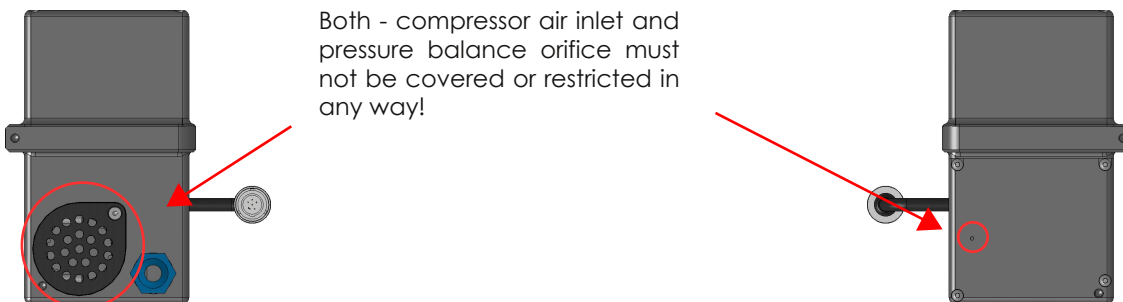
Pin	Function	Dia [AWG]	Type
1	+12V	22	pwr
2	GND	22	pwr
3	GND	22	pwr
4	CAN low	26	data
5	CAN high	26	data
6	+12V	22	pwr

### Port description (pneumatic)

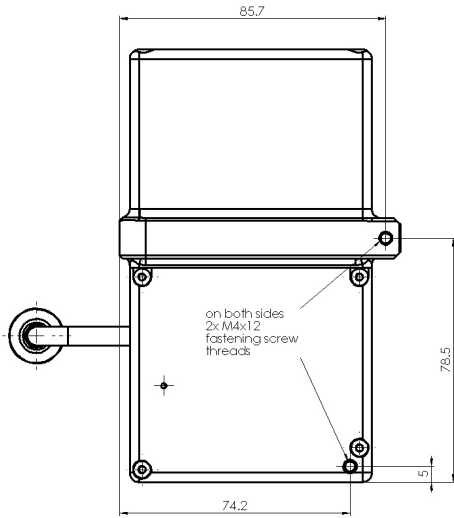
Port	Function	Dimension	max.torque [Ncm]
1	Air pressure outlet	Dash6	1200



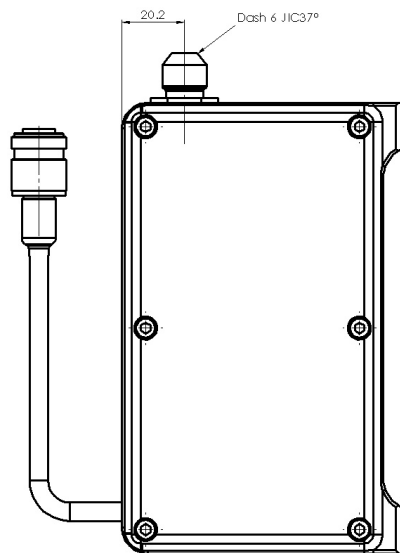
### Attention!



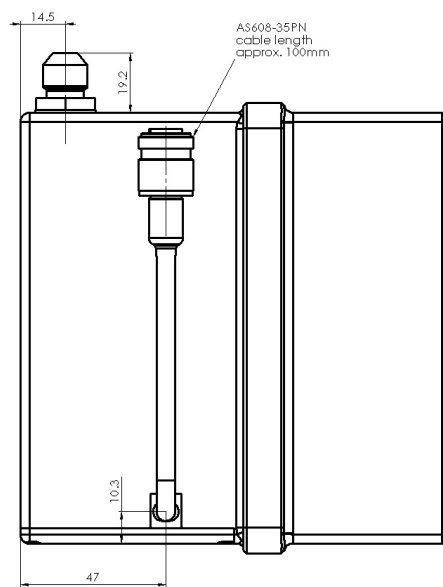
### Assembly dimensions



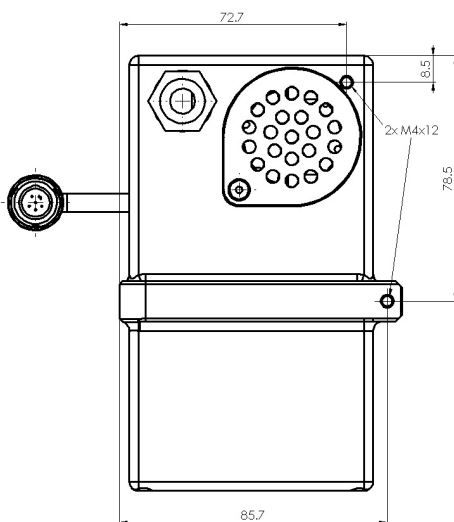
bottom view



front view

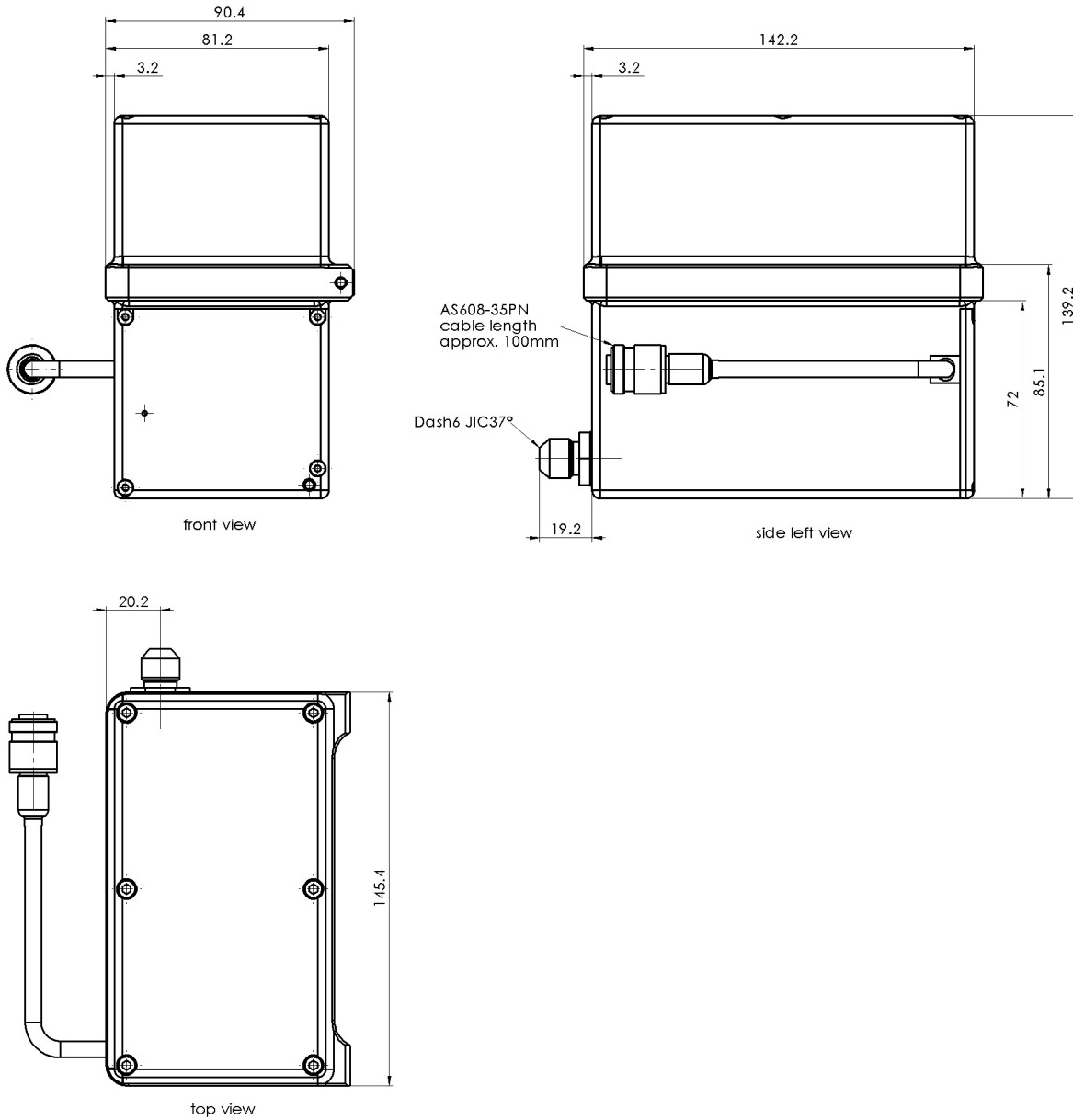


side left view



top view

### Mechanical dimensions



### Assembly example

Assembly components are not included in the purchased parts package.

